

smart interior design

FOR YOUR OFFICE

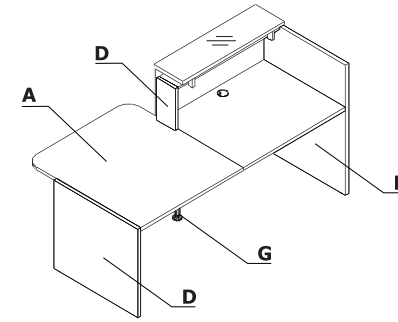
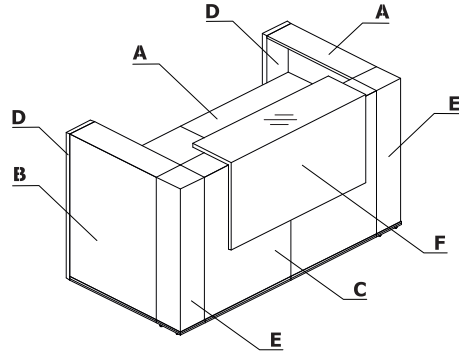
WWW.SMARTINTERIOR.RO

Reception desks TERA

v1.2022

Tera

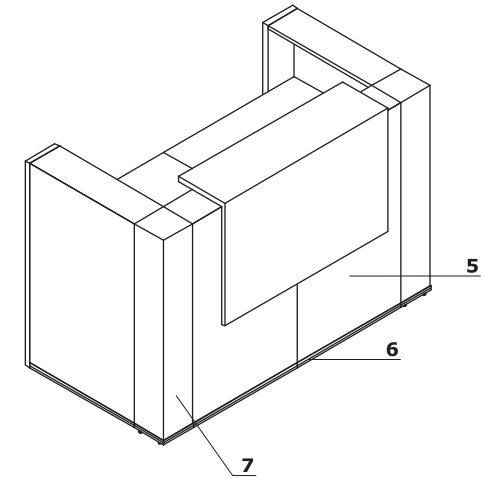
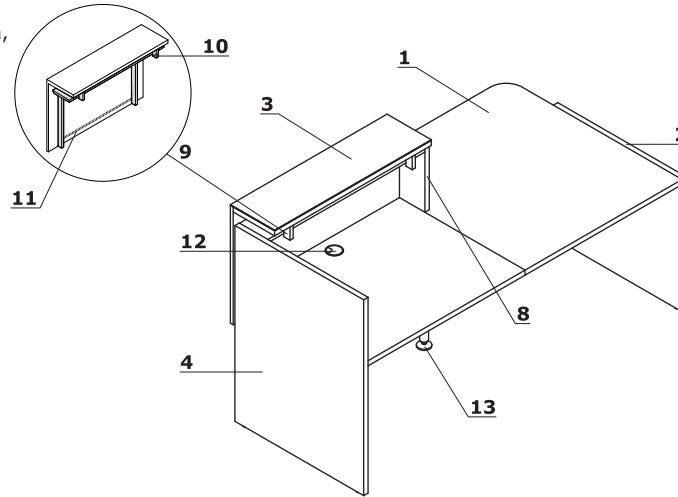
Colour combination - Tera



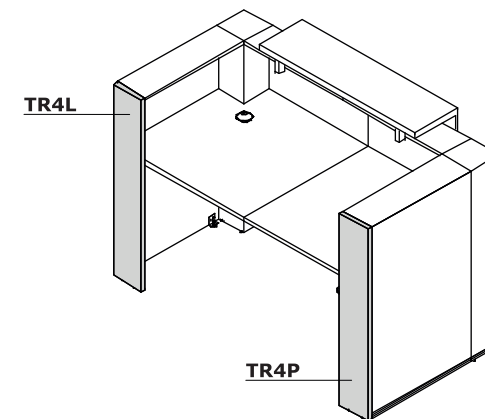
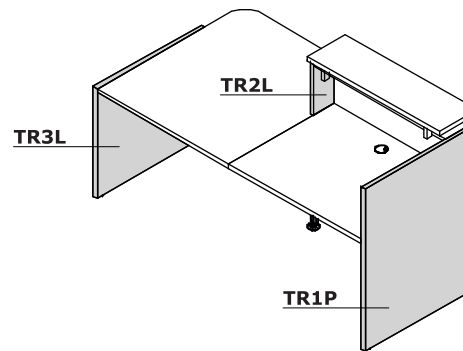
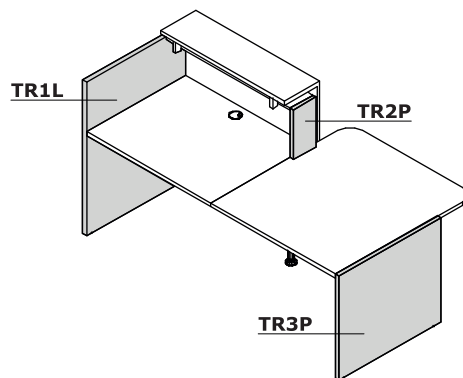
Material	Colour	All elements													
		A - Upper top, worktop	B - Body	C - Front	D - Ending elements	E - Corner unit	F - Top	G - Supporting leg							
MFC	31 - canadian oak	✓	✓	✓	✓			M009 - aluminium semi-matt RAL 9006							
	67 - white pastel	✓	✓	✓	✓			M015 - white semi-matt RAL 9010							
	106 - lowland walnut	✓	✓	✓	✓			M115 - black semi-matt RAL 9005							
	26 - aluminum satinato	✓	✓	✓	✓			M009 - aluminium semi-matt RAL 9006							
	154 - anthracite	✓	✓	✓	✓			M115 - black semi-matt RAL 9005							
	39 - polar birch	✓	✓	✓	✓			M009 - aluminium semi-matt RAL 9006							
	64 - cocoa	✓	✓	✓	✓			M115 - black semi-matt RAL 9005							
	34 - chestnut	✓	✓	✓	✓			M115 - black semi-matt RAL 9005							
	08 - black	✓	✓	✓	✓			M115 - black semi-matt RAL 9005							
	167 - grey oak	✓	✓	✓	✓			M115 - black semi-matt RAL 9005							
	168 - natural oak	✓	✓	✓	✓			M115 - black semi-matt RAL 9005							
	169 - honey oak	✓	✓	✓	✓			M115 - black semi-matt RAL 9005							
	170 - acacia	✓	✓	✓	✓			M115 - black semi-matt RAL 9005							
	171 - dark walnut	✓	✓	✓	✓			M115 - black semi-matt RAL 9005							
HPL	73 - white high gloss					✓	✓								
	101 - black high gloss					✓	✓								
	155 - anthracite high gloss					✓	✓								

Technical specification

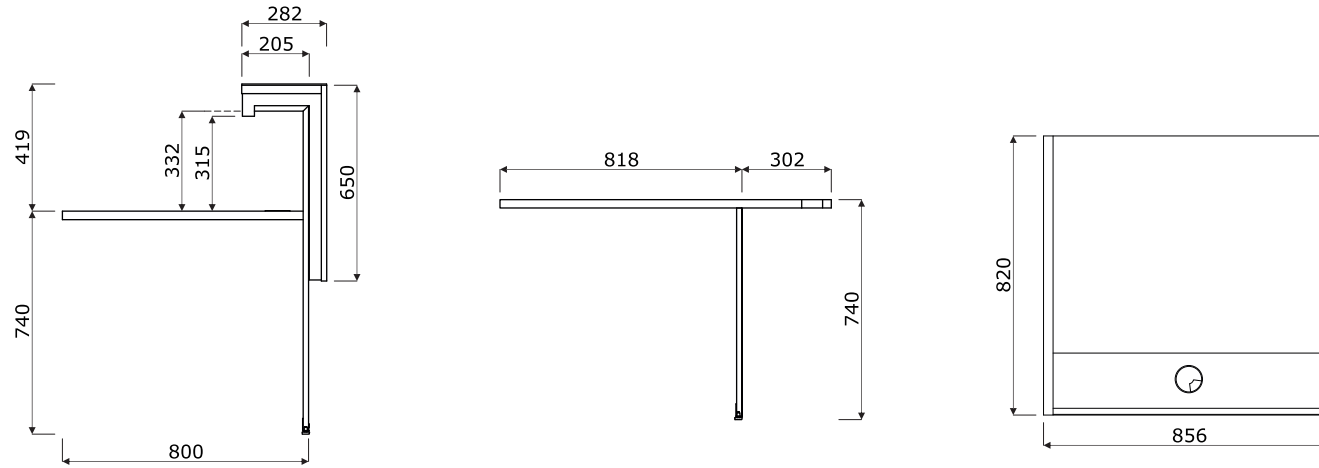
- 1 **Worktop** - MFC 28 mm, ABS edge
- 2 **Low side panel** - MFC 28 mm, ABS edge
- 3 **Top element** - top MFC 28 mm + Glass LACOBEL 4 mm, front MFC 18 mm, coated with HPL gloss
- 4 **High side panel** - MFC 28 mm, ABS edge
- 5 **Front** - MFC 18 mm, ABS edge
- 6 **Decorative stripe** - PVC, colour: M009 - aluminium semi-matt
- 7 **Corner unit** - melamine board covered with HPL - gloss
- 8 **Side panel linking low and high fronts** - MFC 28 mm, ABS edge
- 9 **Frame to optional top element with lightening** - metal powder-coated, white colour
- 10 **Light swich**
- 11 **LED illumination** - cold white color (verging on the blue shade);
- 12 **Cable grommets** - Ø80 mm
- 13 **Supporting leg NL41** - required for connecting the tops



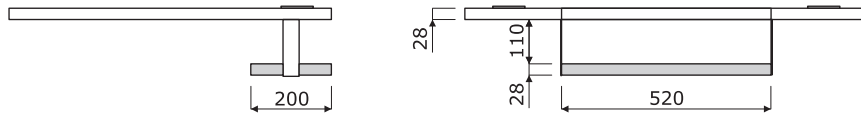
Ending elements application



Dimensions (mm)



Dimensions - monitor shelf (mm)



Symbol	Price RON with TVA	Dimensions					kg m3 pcs	Composition elements
		W1	W2	D1	D2	H		
TRA13	2517,-	856	820			1090	65.3 kg 0.124 m3 3 pcs	TR1L+TR08+TR1P

Extra charge						

Symbol	Price RON with TVA	Dimensions					kg m3 pcs	Composition elements
		W1	W2	D1	D2	H		
TRA14	6011,-	1056	877			1159	89.1 kg 0.32 m3 4 pcs	TR1L+TR10+TR99+TR1P
TRA15	6094,-	1256	877			1159	94.7 kg 0.332 m3 4 pcs	TR1L+TR12+TR99+TR1P
TRA16	6167,-	1456	877			1159	103.15 kg 0.344 m3 4 pcs	TR1L+TR14+TR99+TR1P

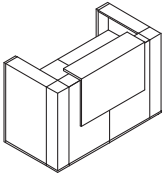
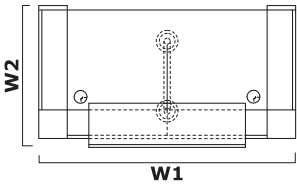
Extra charge RON with TVA						

Symbol	Price RON with TVA	Dimensions					kg m3 pcs	Composition elements
		W1	W2	D1	D2	H		
TRA17	7587,-	1656	877			1159	112.1 kg 0.425 m3 6 pcs	TR1L+2xTR08+TR99+TR1P+NL41
TRA18	7899,-	2056	877			1159	125.7 kg 0.449 m3 6 pcs	TR1L+2xTR10+TR99+TR1P+NL41
TRA19	8065,-	2456	877			1159	136.9 kg 0.473 m3 6 pcs	TR1L+2xTR12+TR99+TR1P+NL41
TRA20	8211,-	2856	877			1159	153.8 kg 0.498 m3 6 pcs	TR1L+2xTR14+TR99+TR1P+NL41

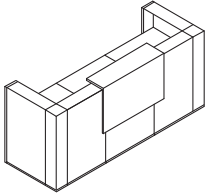
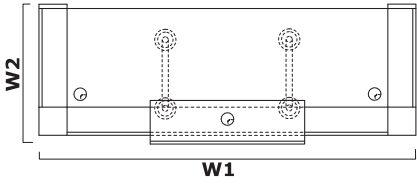
Extra charge RON with TVA						
Monitor shelf x1	Monitor shelf x 2					
910,-	1820,-					
910,-	1820,-					
910,-	1820,-					

Symbol	Price RON with TVA	Dimensions					kg m3 pcs	Composition elements
		W1	W2	D1	D2	H		
TRA117	4248,-	1656	820			1090	95.1 kg 0.242 m3 5 pcs	TR1L+2xTR08+TR1P+NL41
TRA118	4560,-	2056	820			1090	108.7 kg 0.266 m3 5 pcs	TR1L+2xTR10+TR1P+NL41
TRA119	4727,-	2456	820			1090	119.9 kg 0.29 m3 5 pcs	TR1L+2xTR12+TR1P+NL41
TRA120	4872,-	2856	820			1090	136.8 kg 0.314 m3 5 pcs	TR1L+2xTR14+TR1P+NL41

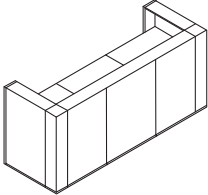
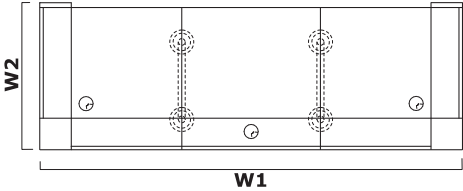
Extra charge RON with TVA						
Monitor shelf x1	Monitor shelf x 2					
910,-	1820,-					
910,-	1820,-					
910,-	1820,-					

										
Symbol	Price RON with TVA	Dimensions					kg m3 pcs	Composition elements		
		W1	W2	D1	D2	H				
TRA42	9802,-	1640	905			1159	123.35 kg 0.46 m3 8 pcs	TR4L+2xTR90+TR4P+TR99+NL41		

Extra charge						

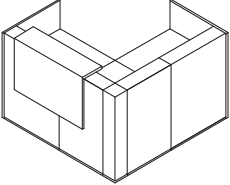
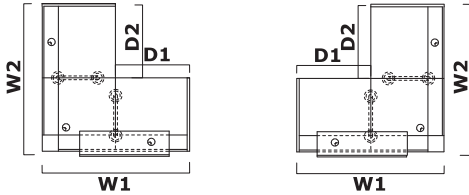
										
Symbol	Price RON with TVA	Dimensions					kg m3 pcs	Composition elements		
		W1	W2	D1	D2	H				
TRA21	11534,-	2440	905			1159	153.15 kg 0.577 m3 10 pcs	TR4L+2xTR90+TR08+TR4P+TR99+2xNL41		
TRA22	11690,-	2640	905			1159	159.95 kg 0.59 m3 10 pcs	TR4L+2xTR90+TR10+TR4P+TR99+2xNL41		
TRA23	11773,-	2840	905			1159	165.55 kg 0.602 m3 10 pcs	TR4L+2xTR90+TR12+TR4P+TR99+2xNL41		
TRA24	11846,-	3040	905			1159	174 kg 0.614 m3 10 pcs	TR4L+2xTR90+TR14+TR4P+TR99+2xNL41		

Extra charge RON with TVA						
Monitor shelf x1						
910,-						
910,-						
910,-						

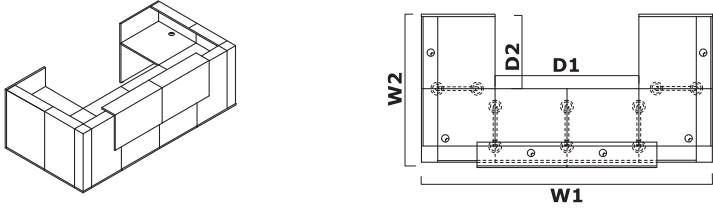
Symbol	Price RON with TVA	Dimensions					kg m3 pcs	Composition elements
		W1	W2	D1	D2	H		
TRA121	8195,-	2440	848			1090	136.15 kg 0.394 m3 9 pcs	TR4L+2xTR90+TR08+TR4P +2xNL41
TRA122	8351,-	2640	848			1090	142.95 kg 0.406 m3 9 pcs	TR4L+2xTR90+TR10+TR4P +2xNL41
TRA123	8434,-	2840	848			1090	148.55 kg 0.418 m3 9 pcs	TR4L+2xTR90+TR12+TR4P +2xNL41
TRA124	8507,-	3040	848			1090	157 kg 0.43 m3 9 pcs	TR4L+2xTR90+TR14+TR4P +2xNL41

Extra charge RON with TVA						
Monitor shelf x1						
910,-						
910,-						
910,-						

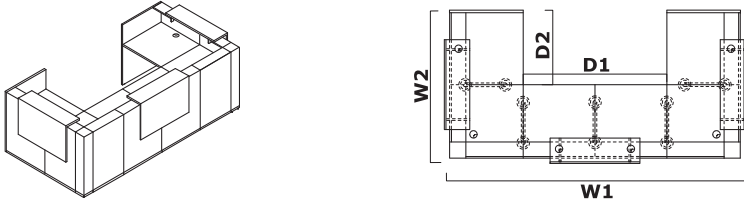
Symbol	Price RON with TVA	Dimensions					kg m3 pcs	Composition elements
		W1	W2	D1	D2	H		
TRA25	10712,-	1648	1648			1159	161.35 kg 0.586 m3 9 pcs	TR1L+TR08+TR90+TR08+TR1P +TR99+2xNL41
TRA26	10868,-	1848	1648			1159	168.15 kg 0.598 m3 9 pcs	TR1L+TR08+TR90+TR10+TR1P +TR99+2xNL41
TRA27	10951,-	2048	1648			1159	173.75 kg 0.611 m3 9 pcs	TR1L+TR08+TR90+TR12+TR1P +TR99+2xNL41
TRA28	11024,-	2248	1648			1159	182.2 kg 0.623 m3 9 pcs	TR1L+TR08+TR90+TR14+TR1P +TR99+2xNL41

Extra charge RON with TVA						
Monitor shelf x1						
910,-						
910,-						
910,-						



Symbol	Price RON with TVA	Dimensions					kg m3 pcs	Composition elements
		W1	W2	D1	D2	H		
TRA29	20639,-	3240	1705			1159	287.2 kg 1.166 m3 17 pcs	TR1L+2xTR08+2xTR90+2xTR08 +TR1P+2xTR99+5xNL41
TRA30	20951,-	3640	1705			1159	300.8 kg 1.19 m3 17 pcs	TR1L+2xTR08+2xTR90+2xTR10+TR1P+2xTR99+5xNL41
TRA31	21117,-	4040	1705			1159	312 kg 1.214 m3 17 pcs	TR1L+2xTR08+2xTR90+2xTR12+TR1P+2xTR99+5xNL41
TRA32	21263,-	4440	1705			1159	328.9 kg 1.239 m3 17 pcs	TR1L+2xTR08+2xTR90+2xTR14 +TR1P+2xTR99+5xNL41

Extra charge RON with TVA						
Monitor shelf x1	Monitor shelf x 2					
910,-	1820,-					
910,-	1820,-					
910,-	1820,-					



Symbol	Price RON with TVA	Dimensions					kg m3 pcs	Composition elements
		W1	W2	D1	D2	H		
TRA129	23977,-	3354	1705			1159	304.2 kg 1.349 m3 18 pcs	TR1L+2xTR08+2xTR90+2xTR08 +TR1P+3xTR99+5xNL41
TRA130	24289,-	3754	1705			1159	317.8 kg 1.374 m3 18 pcs	TR1L+2xTR08+2xTR90+2xTR10 +TR1P+3xTR99+5xNL41
TRA131	24456,-	4154	1705			1159	329 kg 1.398 m3 18 pcs	TR1L+2xTR08+2xTR90+2xTR12 +TR1P+3xTR99+5xNL41
TRA132	24601,-	4554	1705			1159	345.9 kg 1.422 m3 18 pcs	TR1L+2xTR08+2xTR90+2xTR14 +TR1P+3xTR99+5xNL41

Extra charge RON with TVA						
Monitor shelf x1	Monitor shelf x 2					
910,-	1820,-					
910,-	1820,-					
910,-	1820,-					

Symbol	Price RON with TVA	Dimensions					kg m3 pcs	Composition elements
		W1	W2	D1	D2	H		
TRA33	13218,-	3056	1120			1159	182.35 kg 0.793 m3 11 pcs	TR1L+TR10+TR2P+TR11+TR2L +TR10+TR1P+2xTR99+2xNL41
TRA34	13385,-	3456	1120			1159	193.55 kg 0.817 m3 11 pcs	TR1L+TR12+TR2P+TR11+TR2L +TR12+TR1P+2xTR99+2xNL41
TRA35	13530,-	3856	1120			1159	210.45 kg 0.841 m3 11 pcs	TR1L+TR14+TR2P+TR11+TR2L +TR14+TR1P+2xTR99+2xNL41

Extra charge RON with TVA						
Monitor shelf x1	Monitor shelf x 2					
910,-	1820,-					
910,-	1820,-					
910,-	1820,-					

Symbol	Price RON with TVA	Dimensions					kg m3 pcs	Composition elements
		W1	W2	D1	D2	H		
TRA133	6542,-	3056	1120			1090	148.35 kg 0.426 m3 9 pcs	TR1L+TR10+TR2P+TR11+TR2L +TR10+TR1P+2xNL41
TRA134	6708,-	3456	1120			1090	159.55 kg 0.451 m3 9 pcs	TR1L+TR12+TR2P+TR11+TR2L+TR12+TR1P+2xNL41
TRA135	6854,-	3856	1120			1090	176.45 kg 0.475 m3 9 pcs	TR1L+TR14+TR2P+TR11+TR2L+TR14+TR1P+2xNL41

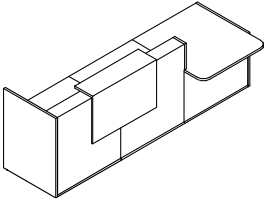
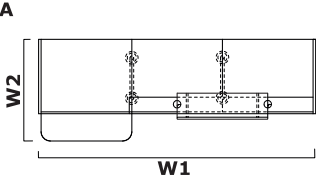
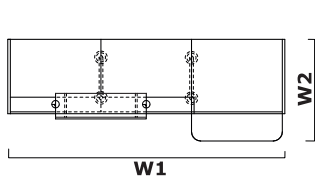
Extra charge RON with TVA						
Monitor shelf x1	Monitor shelf x 2					
910,-	1820,-					
910,-	1820,-					
910,-	1820,-					

Symbol		Price RON with TVA	Dimensions					kg m3 pcs	Composition elements
A	B		W1	W2	D1	D2	H		
TRA36L	TRA36P	7753,-	2056	1120			1159	121.25 kg 0.467 m3 7 pcs	A - TR1L+TR10+TR2P+TR11+TR3P +TR99+NL41 B - TR3L+TR11+TR2L+TR10+TR1P +TR99+NL41
TRA37L	TRA37P	7836,-	2256	1120			1159	126.85 kg 0.479 m3 7 pcs	A - TR1L+TR12+TR2P+TR11+TR3P +TR99+NL41 B - TR3L+TR11+TR2L+TR12+TR1P +TR99+NL41
TRA38L	TRA38P	7909,-	2456	1120			1159	176.3 kg 0.587 m3 9 pcs	A - TR1L+TR14+TR2P+TR11+TR3P +TR99+NL41 B - TR3L+TR11+TR2L+TR14+TR1P +TR99+NL41

Extra charge RON with TVA						
Monitor shelf x1						
910,-						
910,-						
910,-						

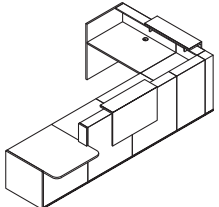
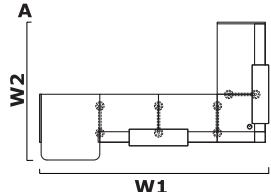
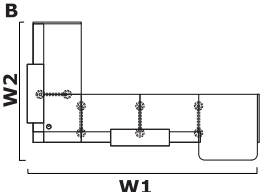
Symbol		Price RON with TVA	Dimensions					kg m3 pcs	Composition elements
A	B		W1	W2	D1	D2	H		
TRA136L	TRA136P	4415,-	2056	1120			1090	104.25 kg 0.283 m3 6 pcs	A - TR1L+TR10+TR2P+TR11+TR3P +NL41 B - TR3L+TR11+TR2L+TR10+TR1P +NL41
TRA137L	TRA137P	4498,-	2256	1120			1090	109.85 kg 0.295 m3 6 pcs	A - TR1L+TR12+TR2P+TR11+TR3P +NL41 B - TR3L+TR11+TR2L+TR12+TR1P +NL41
TRA138L	TRA138P	4571,-	2456	1120			1090	118.3 kg 0.308 m3 6 pcs	A - TR1L+TR14+TR2P+TR11+TR3P +NL41 B - TR3L+TR11+TR2L+TR14+TR1P +NL41

Extra charge RON with TVA						
Monitor shelf x1						
910,-						
910,-						
910,-						

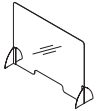
Symbol		Price RON with TVA	Dimensions					kg m3 pcs	Composition elements
A	B		W1	W2	D1	D2	H		
TRA39L	TRA39P	9641,-	3056	1120			1159	157.85 kg 0.596 m3 9 pcs	A - TR1L+2xTR10+TR2P+TR11+TR3P+TR99+2xNL41 B - TR3L+TR11+TR2L+2xTR10+TR1P+TR99+2xNL41
TRA40L	TRA40P	9807,-	3456	1120			1159	169.05 kg 0.62 m3 9 pcs	A - TR1L+2xTR12+TR2P+TR11+TR3P+TR99+2xNL41 B - TR3L+TR11+TR2L+2xTR12+TR1P+TR99+2xNL41
TRA41L	TRA41P	9953,-	3856	1120			1159	185.95 kg 0.645 m3 9 pcs	A - TR1L+2xTR14+TR2P+TR11+TR3P+TR99+2xNL41 B - TR3L+TR11+TR2L+2xTR14+TR1P+TR99+2xNL41

Extra charge RON with TVA						
Monitor shelf x1	Monitor shelf x 2					
910,-	1820,-					
910,-	1820,-					
910,-	1820,-					

Symbol		Price RON with TVA	Dimensions					kg m3 pcs	Composition elements
A	B		W1	W2	D1	D2	H		
TRA43L	TRA43P	18075,-	3856	2046			1159	266.3 kg 1.083 m3 15 pcs	A - TR3P+TR11+TR2P+2xTR10+2xTR99+TR90+TR12+TR1L+4xNL41 B - TR1P+TR12+TR90+2xTR99+2xTR10+TR2L+TR11+TR3L+4xNL41
TRA44L	TRA44P	18242,-	4256	2046			1159	357.9 kg 1.264 m3 17 pcs	A - TR3P+TR11+TR2P+2xTR12+2xTR99+TR90+TR12+TR1L+4xNL41 B - TR1P+TR12+TR90+2xTR99+2xTR12+TR2L+TR11+TR3L+4xNL41
TRA45L	TRA45P	18387,-	4656	2046			1159	294.4 kg 1.131 m3 15 pcs	A - TR3P+TR11+TR2P+2xTR14+2xTR99+TR90+TR12+TR1L+4xNL41 B - TR1P+TR12+TR90+2xTR99+2xTR14+TR2L+TR11+TR3L+4xNL41

Extra charge RON with TVA						
Monitor shelf x1	Monitor shelf x 2					
910,-	1820,-					
910,-	1820,-					
910,-	1820,-					




Sneeze guard							
	Symbol	Price RON with TVA	Dimensions			kg m3 pcs	Comments
			Width	Depth	Height		
	NPX1	749,-	1000	250	750	8.8 kg 0.01 m3 2 pcs	sneeze guard, clear PET material + metal feet, colour: M009 - aluminium semi-matte

Extra charge							

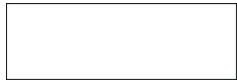


MFC

 08 - black	 26 - aluminum satinato	 31 - canadian oak	 34 - chestnut	 64 - cocoa	 67 - white pastel	 106 - lowland walnut	 167 - grey oak
 168 - natural oak	 169 - honey oak	 170 - acacia	 172 - amber oak	 173 - robinia			

Metal

 M009 - aluminium semi-matt RAL 9006	 M015 - white semi-matt RAL 9010	 M115 - black semi-matt RAL 9005
---	---	---

HPL

 73 - white high gloss	 101 - black high gloss	 155 - anthracite high gloss					